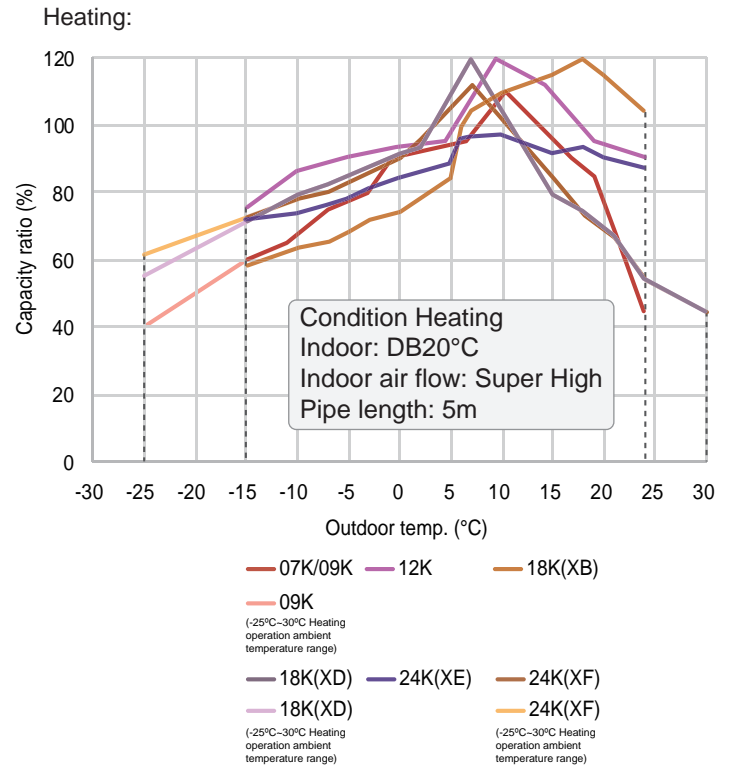
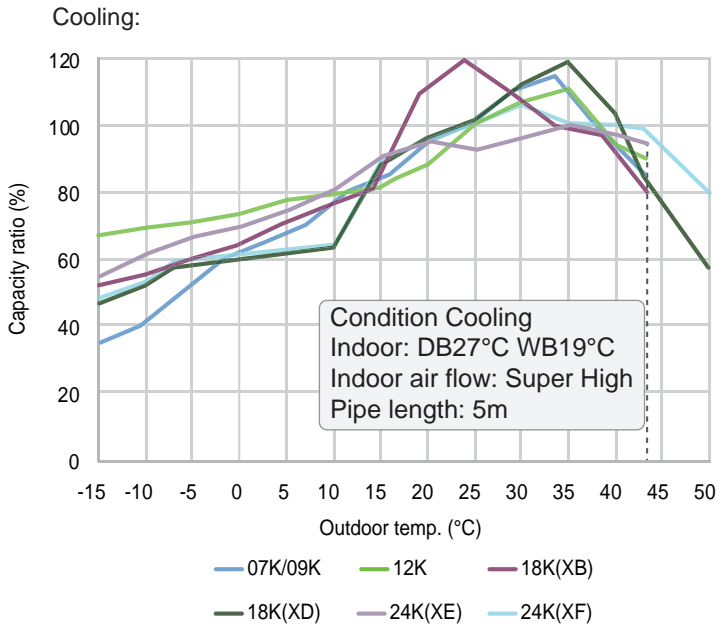


Model		-	GWH09AWAXB-K6DNA1C	GWH09AWAXB-K6DNA1C GWH09AWAXB-K6DNA2C GWH09AWAXB-K6DNA3C GWH09AWAXB-K6DNA4C GWH09AWAXB-K6DNA5C
Product Code		-	CB603005100	CB603005101 CB616000900 CB617001500 CB622000200 CB625001100
Power Supply	Rated Voltage	V~	220-240	
	Rated Frequency	Hz	50	
	Phases	-	1	
Power Supply Mode		-	Outdoor	
Cooling Capacity		W	2500	
Heating Capacity		W	2800	
Cooling Power Input		W	660	
Heating Power Input		W	700	
Cooling Current Input		A	3.1	
Heating Current Input		A	3.2	
Rated Input		W	1500	
Rated Cooling Current		A	6	
Rated Heating Current		A	7.5	
Air Flow Volume		m <sup>3</sup> /h	500/470/430/390/320/270/250	
Dehumidifying Volume		L/h	0.6	
EER		W/W	3.79	
COP		W/W	4	
SEER		-	6.8	
SCOP(Average/Warmer/Colder)		-	4.1/5.1/-	
Application Area		m <sup>2</sup>	10-16	
Indoor Unit	Model	-	GWH09AWAXB-K6DNA1C/I	GWH09AWAXB-K6DNA1C/I GWH09AWAXB-K6DNA2C/I GWH09AWAXB-K6DNA3C/I GWH09AWAXB-K6DNA4C/I GWH09AWAXB-K6DNA5C/I
	Product Code	-	CB603N05100	CB603N05101 CB616N00900 CB617N01500 CB622N00200 CB625N01100
	Fan Type	-	Cross-flow	
	Fan Diameter Length(DXL)	mm	Φ92×505	
	Cooling Speed	r/min	1300/1200/1120/1050/920/800/750	
	Heating Speed	r/min	1300/1200/1120/1050/950/850/800	
	Fan Motor Power Output	W	20	
	Fan Motor RLA	A	0.22	
	Fan Motor Capacitor	μF	1	
	Evaporator Form	-	Aluminum Fin-copper Tube	
	Evaporator Pipe Diameter	mm	Φ5	
	Evaporator Row-fin Gap	mm	2-1.4	
	Evaporator Coil Length (LXDXW)	mm	509×22.8×266.7	
	Swing Motor Model	-	MP24HF / MP24HF	MP24HF
	Swing Motor Power Output	W	1.5 / 1.5	1.5
	Fuse Current	A	3.15	
	Sound Pressure Level	dB (A)	Cooling: 40/38/36/33/29/25/22 Heating: 39/36/34/32/29/26/24	
	Sound Power Level	dB (A)	Cooling: 55/51/49/46/42/38/35 Heating: 55/52/49/47/45/42/39	
	Dimension (WXHXD)	mm	735X260X190	
	Dimension of Carton Box (LXWXH)	mm	780X316X252	
	Dimension of Package (LXWXH)	mm	785X332X263	
	Net Weight	kg	7.5	
	Gross Weight	kg	9	

Outdoor Unit	Outdoor Unit Model	-	GWH09AWAXB-K6DNA1C/O
	Outdoor Unit Product Code	-	CB603W05100
	Compressor Manufacturer	-	ZHUHAI LANDA COMPRESSOR CO., LTD.
	Compressor Model	-	QXF-N082zC170
	Compressor Oil	-	RB68GX or equivalent
	Compressor Type	-	Rotary
	Compressor LRA.	A	/
	Compressor RLA	A	3.4
	Compressor Power Input	W	630
	Compressor Overload Protector	-	/
	Throttling Method	-	Capillary
	Set Temperature Range	°C	16~30
	Cooling Operation Ambient Temperature Range	°C	-15~43
	Heating Operation Ambient Temperature Range	°C	-15~24
	Condenser Form	-	Aluminum Fin-copper Tube
	Condenser Pipe Diameter	mm	Φ7
	Condenser Rows-fin Gap	mm	1-1.2
	Condenser Coil Length (LXD <sub>X</sub> W)	mm	666×19.05×527
	Fan Motor Speed	rpm	850
	Fan Motor Power Output	W	30
	Fan Motor RLA	A	/
	Fan Motor Capacitor	μF	/
	Outdoor Unit Air Flow Volume	m <sup>3</sup> /h	1950
	Fan Type	-	Axial-flow
	Fan Diameter	mm	Φ400
	Defrosting Method	-	Automatic Defrosting
	Climate Type	-	T1
	Isolation	-	I
	Moisture Protection	-	IPX4
	Permissible Excessive Operating Pressure for the Discharge Side	MPa	4.3
	Permissible Excessive Operating Pressure for the Suction Side	MPa	2.5
	Sound Pressure Level	dB (A)	50
	Sound Power Level	dB (A)	60
Dimension (WXHXD)	mm	732X555X330	
Dimension of Carton Box (LXWXH)	mm	791X373X590	
Dimension of Package (LXWXH)	mm	794X376X615	
Net Weight	kg	23.5	
Gross Weight	kg	26	
Refrigerant	-	R32	
Refrigerant Charge	kg	0.48	
Connection Pipe	Connection Pipe Length	m	5
	Connection Pipe Gas Additional Charge	g/m	16
	Outer Diameter Liquid Pipe	inch	1/4
	Outer Diameter Gas Pipe	inch	3/8
	Max Distance Height	m	10
	Max Distance Length	m	15
	Note: The connection pipe applies metric diameter.		

The above data is subject to change without notice. Please refer to the nameplate of the unit.

## 2.2 Capacity Variation Ratio According to Temperature



## 2.3 Cooling and Heating Data Sheet in Rated Frequency

Cooling:

Rated cooling condition(°C) (DB/WB)		Model	Pressure of gas pipe connecting indoor and outdoor unit	Inlet and outlet pipe temperature of heat exchanger		Fan speed of indoor unit	Fan speed of outdoor unit
Indoor	Outdoor			T1 (°C)	T2 (°C)		
27/19	35/24	07K / 09K	0.8 ~ 1.1	12 ~ 15	68 ~ 38	Super High	High
27/19	35/24	18K	0.9 ~ 1.1	12 ~ 14	75 ~ 37	Super High	High
27/19	35/24	12K / 24K	0.9 ~ 1.1	12 ~ 14	75 ~ 37	Super High	High

Heating:

Rated heating condition(°C) (DB/WB)		Model	Pressure of gas pipe connecting indoor and outdoor unit	Inlet and outlet pipe temperature of heat exchanger		Fan speed of indoor unit	Fan speed of outdoor unit
Indoor	Outdoor			T1 (°C)	T2 (°C)		
20/-	7/6	07K / 09K	2.8 ~ 3.2	63 ~ 35	2 ~ 5	Super High	High
20/-	7/6	18K	2.2 ~ 2.4	70 ~ 40	1 ~ 5	Super High	High
20/-	7/6	12K / 24K	2.2 ~ 2.4	70 ~ 35	2 ~ 4	Super High	High

### Instruction:

T1: Inlet and outlet pipe temperature of evaporator

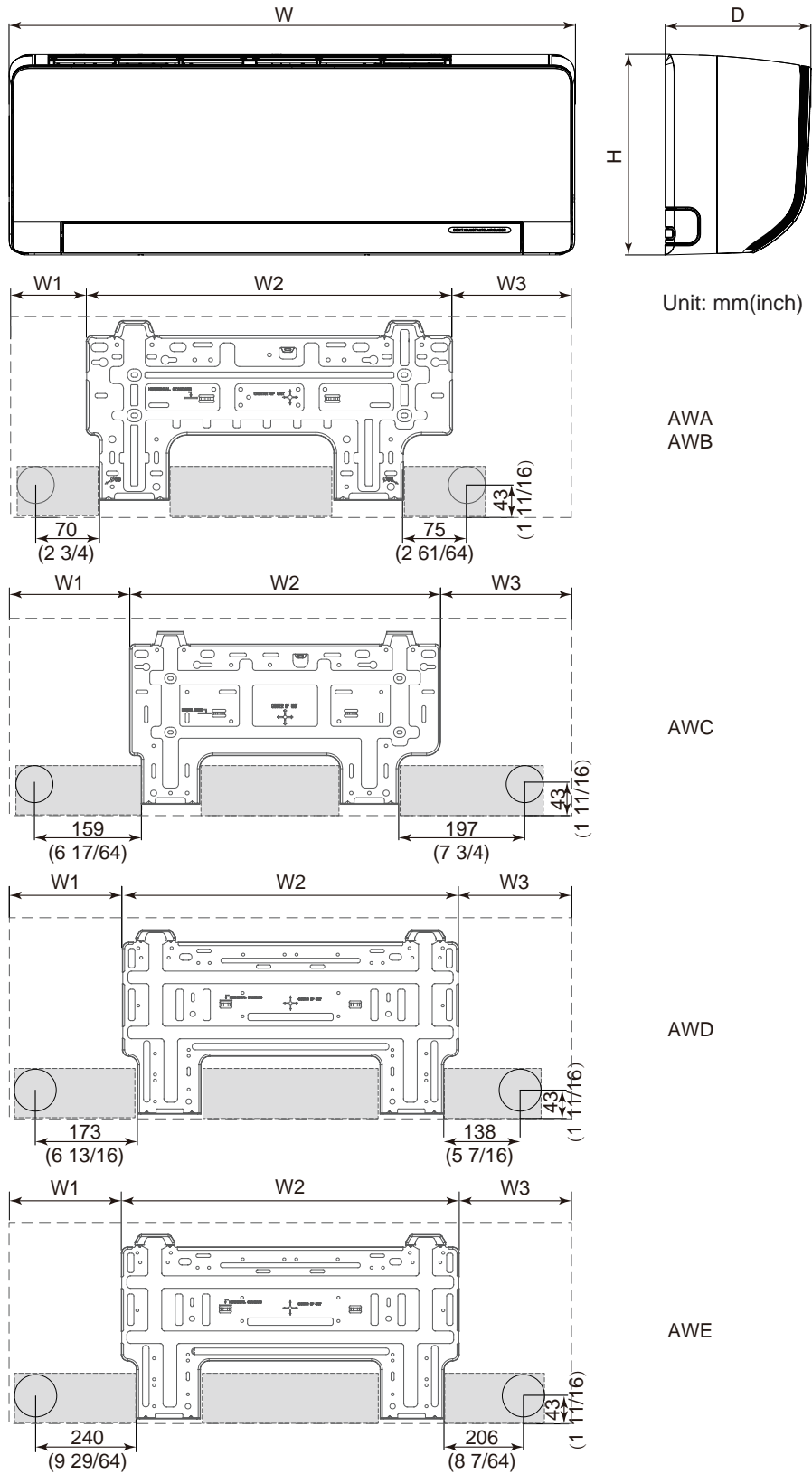
T2: Inlet and outlet pipe temperature of condenser

P: Pressure at the side of big valve

Connection pipe length: 5 m.

# 3. Outline Dimension Diagram

## 3.1 Indoor Unit

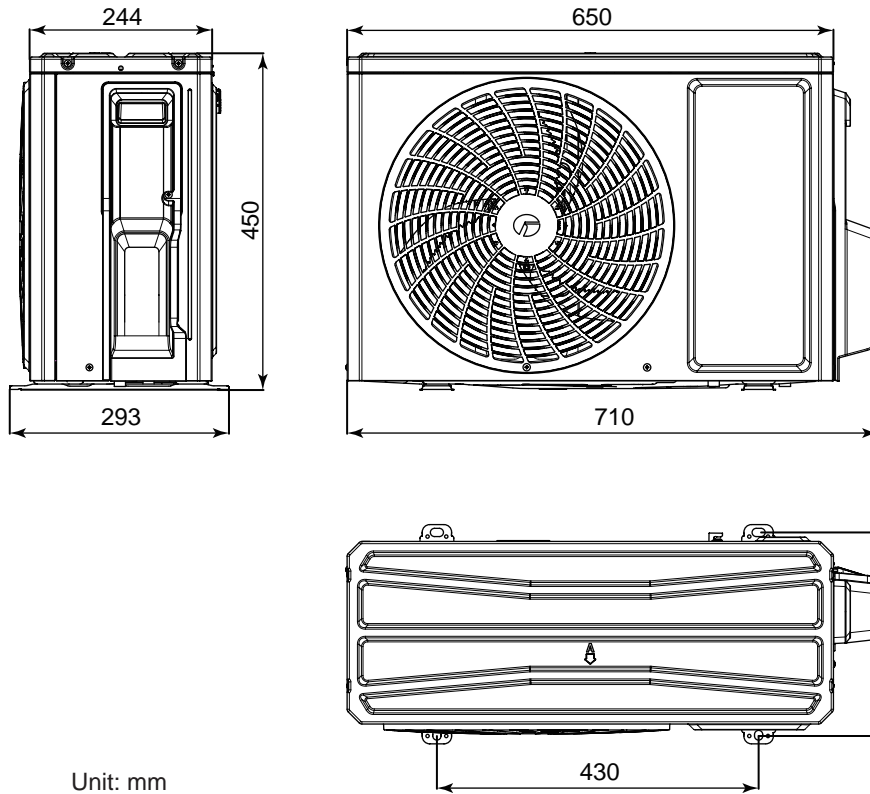


Unit: mm

Model	W	H	D	W1	W2	W3
AWA	735	260	190	109.5	461	164.5
AWB	810	260	190	147.5	461	201.5
AWC	867	276	206	195	462	210
AWD	978	333	248	209	561.5	207.5
AWE	1116	333	248	277.5	561.5	277

### 3.2 Outdoor Unit

GWH07AWAXA-K6DNA1C/O GWH07AGA-K6DNA1A/O



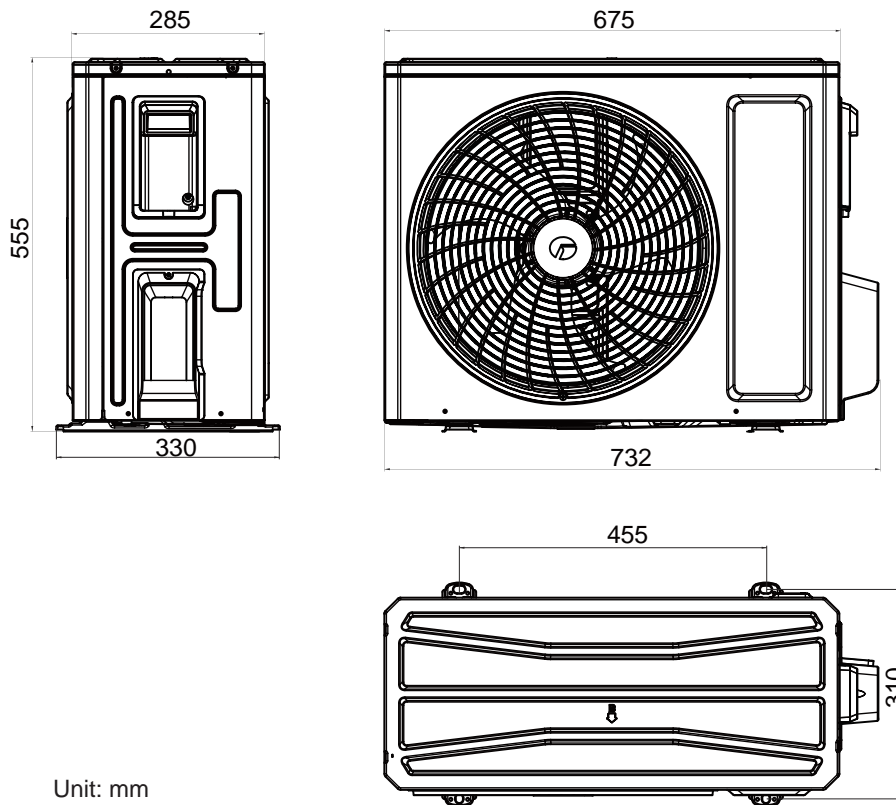
Unit: mm

GWH09AGAXB-K6DNA1B/O  
GWH12ATBXB-K6DNA1D/O  
GWH12AWCXB-K6DNA3E/O

GWH09AGBXB-K6DNA1A/O  
GWH12AWBXB-K6DNA3F/O  
GWH18ATDXB-K6DNA1A/O

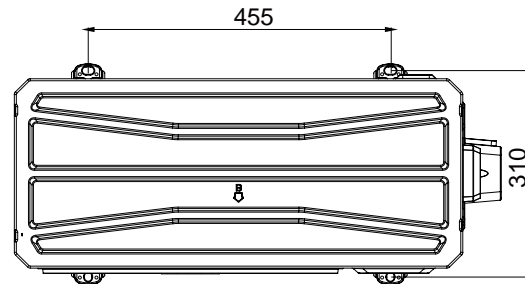
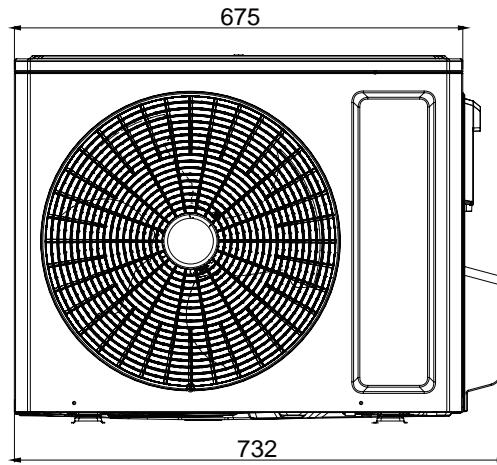
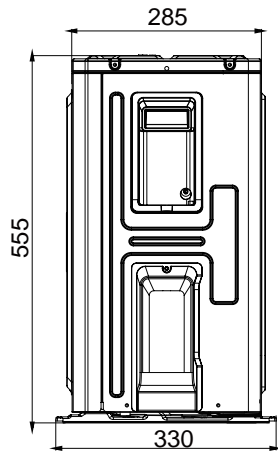
GWH09ATCXB-K6DNA1A/O  
GWH12ATCXB-K6DNA1A/O

GWH09ATCXB-K6DNA1B/O  
GWH12ATCXB-K6DNA1D/O



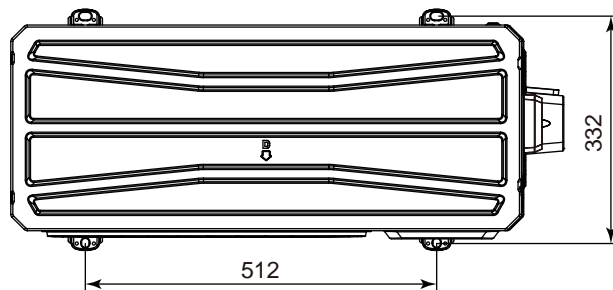
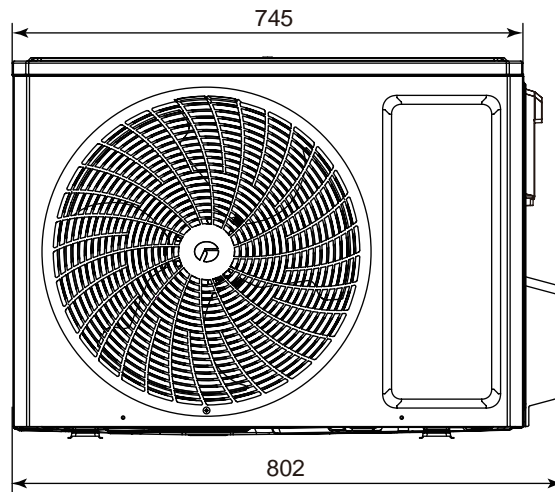
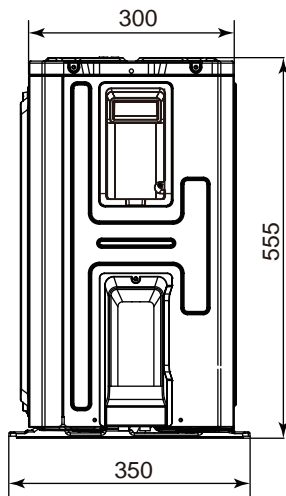
Unit: mm

GWH09AWAXB-K6DNA1C/O GWH09AWBXB-K6DNA1C/O



Unit: mm

GWH18ATDXD-K6DNA1A/O



Unit: mm