

Model			GWH12YCXD-K6DNA1B GWH12YCXD-K6DNA2B
Product Code			CB437004501 CB466002901/CB466002902/CB466002903/CB466002904
Power Supply	Rated Voltage	V~	220-240
	Rated Frequency	Hz	50
	Phases		1
Power Supply Mode			Outdoor
Cooling Capacity		W	3500
Heating Capacity		W	3810
Cooling Power Input		W	875
Heating Power Input		W	952
Cooling Current Input		A	4.1
Heating Current Input		A	4.5
Rated Input		W	1850
Rated Cooling Current		A	7.3
Rated Heating Current		A	8
Air Flow Volume		m ³ /h	680/590/540/490/450/420/390/180
Dehumidifying Volume		L/h	1.4
EER		W/W	4
COP		W/W	4
SEER		W/W	8.5
SCOP (Average/Warmer/Colder)		--	4.4/5.4/3.5
Application Area		m ²	16-24
Indoor Unit	Model		GWH12YCXD-K6DNA1B/I GWH12YCXD-K6DNA2B/I
	Product Code		CB437N04500 CB466N02901/CB466N02902/CB466N02903/CB466N02904
	Fan Type		Cross-flow
	Fan Diameter Length(DXL)	mm	Φ98×633
	Cooling Speed	r/min	1350/1200/1120/1050/950/850/750/500
	Heating Speed	r/min	1350/1200/1140/1080/1020/960/900
	Fan Motor Power Output	W	20
	Fan Motor RLA	A	0.09
	Fan Motor Capacitor	μF	/
	Evaporator Form		Aluminum Fin-copper Tube
	Evaporator Pipe Diameter	mm	Φ5
	Evaporator Row-fin Gap	mm	2-1.4
	Evaporator Coil Length (LXDXW)	mm	635×22.8×306.3
	Swing Motor Model		MP24EB/MP24HF
	Swing Motor Power Output	W	1.5
	Fuse Current	A	3.15
	Sound Pressure Level	dB (A)	Cooling: 43/39/37/35/32/29/23/19 Heating: 43/39/38/36/33/31/29
	Sound Power Level	dB (A)	Cooling: 58/53/51/49/46/43/37/33 Heating: 58/53/52/50/47/45/43
	Dimension (WXHXD)	mm	865X290X210
	Dimension of Carton Box (LXWXH)	mm	928X278X364
Dimension of Package (LXWXH)	mm	931X281X379	
Net Weight	kg	10.5	
Gross Weight	kg	12.5	

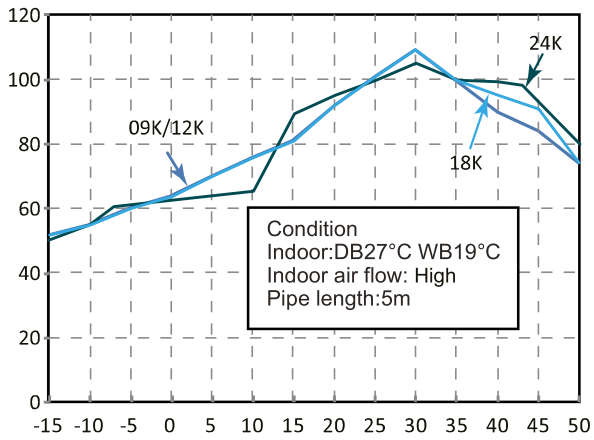
Outdoor Unit	Outdoor Unit Model		GWH12YCXD-K6DNA1B/O
	Outdoor Unit Product Code		CB437W04501
	Compressor Manufacturer		ZHUHAI LANDA COMPRESSOR CO., LTD
	Compressor Model		FTz-AN108ACBD
	Compressor Oil		FW68DA or equivalent
	Compressor Type		Rotary
	Compressor LRA.	A	/
	Compressor RLA	A	4.4
	Compressor Power Input	W	/
	Compressor Overload Protector		/
	Throttling Method		Electron expansion valve
	Set Temperature Range	°C	16~30
	Cooling Operation Ambient Temperature Range	°C	-15~50
	Heating Operation Ambient Temperature Range	°C	-25~30
	Condenser Form		Aluminum Fin-copper Tube
	Condenser Pipe Diameter	mm	Φ7
	Condenser Rows-fin Gap	mm	2-1.4
	Condenser Coil Length (LXD _{XW})	mm	761.5×38.1×528
	Fan Motor Speed	rpm	850
	Fan Motor Power Output	W	30
	Fan Motor RLA	A	0.4
	Fan Motor Capacitor	μF	/
	Outdoor Unit Air Flow Volume	m ³ /h	2200
	Fan Type		Axial-flow
	Fan Diameter	mm	Φ420
	Defrosting Method		Automatic Defrosting
	Climate Type		T1
	Isolation		I
	Moisture Protection		IPX4
	Permissible Excessive Operating Pressure for the Discharge Side	MPa	4.3
	Permissible Excessive Operating Pressure for the Suction Side	MPa	2.5
	Sound Pressure Level (H/M/L)	dB (A)	52
	Sound Power Level (H/M/L)	dB (A)	64
Dimension(WXHXD)	mm	802X555X350	
Dimension of Carton Box (LXWXH)	mm	869X395X594	
Dimension of Package(LXWXH)	mm	872X398X620	
Net Weight	kg	29	
Gross Weight	kg	31.5	
Refrigerant		R32	
Refrigerant Charge	kg	0.8	
Connection Pipe	Connection Pipe Length	m	5
	Connection Pipe Gas Additional Charge	g/m	16
	Outer Diameter Liquid Pipe	inch	1/4
	Outer Diameter Gas Pipe	inch	3/8
	Max Distance Height	m	10
	Max Distance Length	m	20
	Note: The connection pipe applies metric diameter.		

The above data is subject to change without notice. Please refer to the nameplate of the unit.

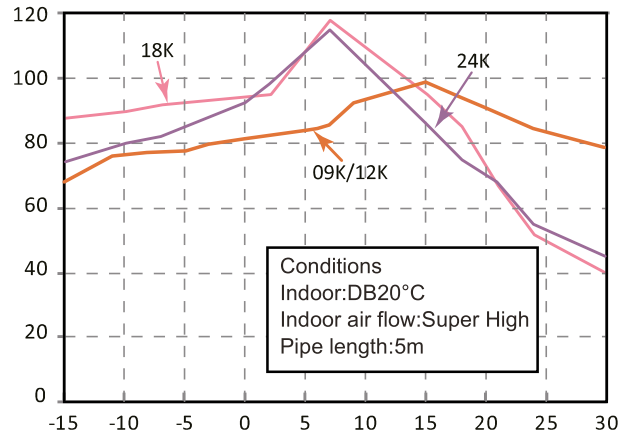
2.2 Capacity Variation Ratio According to Temperature

Heating operation ambient temperature range is $-15^{\circ}\text{C}\sim 30^{\circ}\text{C}$

Cooling

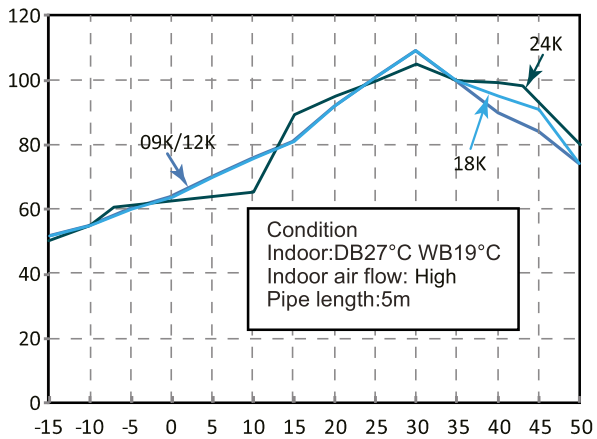


Heating

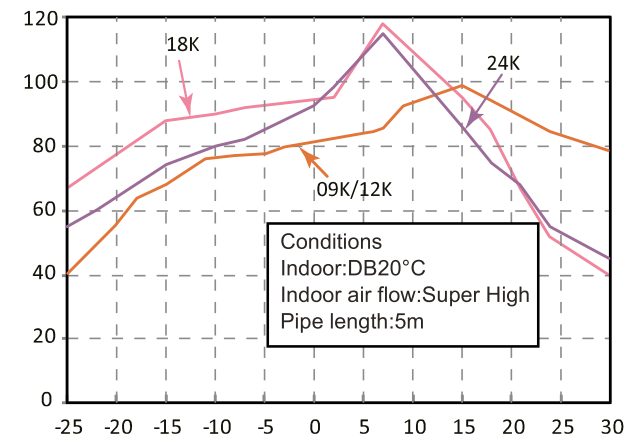


Heating operation ambient temperature range is $-25^{\circ}\text{C}\sim 30^{\circ}\text{C}$

Cooling

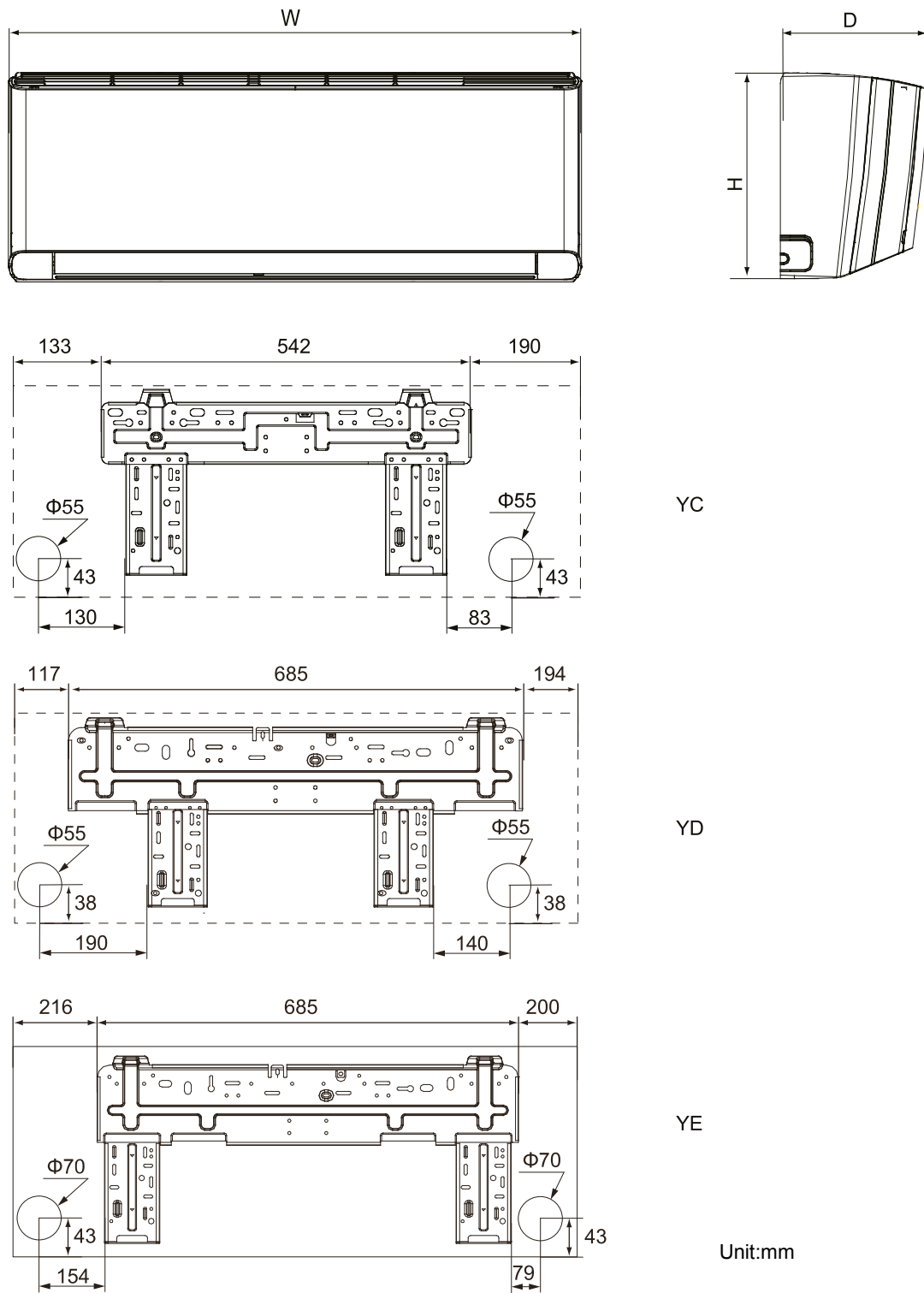


Heating



3. Outline Dimension Diagram

3.1 Indoor Unit



YC

YD

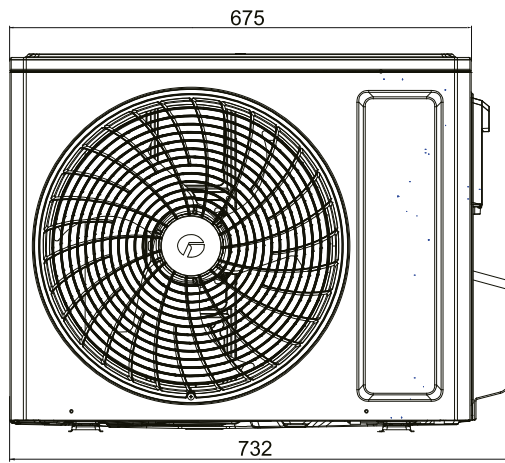
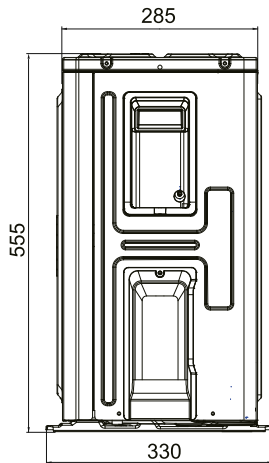
YE

Unit:mm

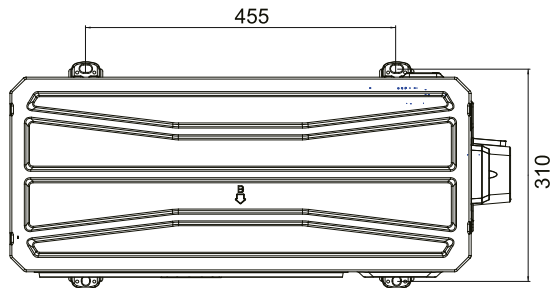
Model	W	H	D
YC	865	290	210
YD	996	301	225
YE	1101	327	249

3.2 Outdoor Unit

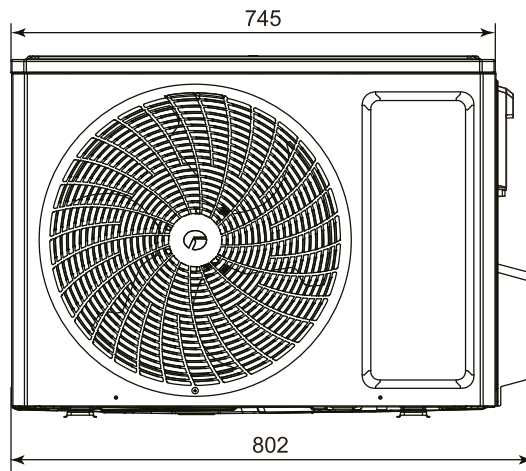
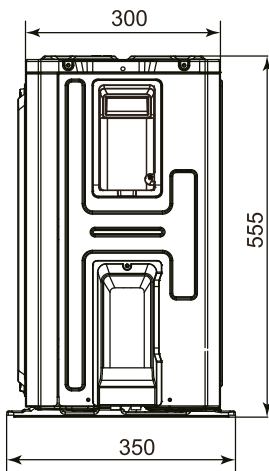
GWH09YCXB-K6DNA1C/O



Unit:mm



GWH12YCXD-K6DNA1B/O



Unit:mm

